

Ti2 - Series

Small Plastic Body

Position & Limit Switches



Position & Limit Switches

Ti2 Series - Plastic Body



Product characteristics

- Compact dimensions
- 2 contacts, 1 or 2 positive break contacts
- Protection class IP65
- Different actuators
- Snap-on cover can be released with a screwdriver

Good to know ...

With a higher protection class (IP65) and a wider range of actuators such as the C2, the Ti2 is suitable for many different applications.



Position & Limit Switches

Ti2 Series - Plastic Body

Technical design

- Slow- and snap action
- **Versions:** 1 NC/1 NO, 2 NC, 2 NO

Technical data

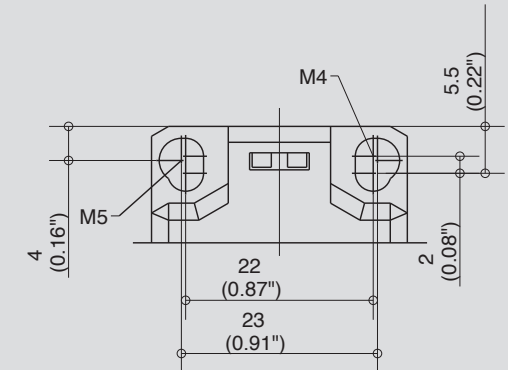
Electrical data		
Design insulation voltage	U_i max.	240 V AC
Conventional thermoelectric current	I_{the}	10 A
Rated operating voltage	U_e max.	240 V
Utilisation category	U_e/I_e	AC-15, U_e/I_e 240 V/3 A; DC-13, U_e/I_e 240 V/0.27 A
Short-circuit protection		Safety fuse 6 A gL/gG
Protection class		II, protective insulation
Mechanical data		
Enclosure material		Thermoplastics, glass-fibre reinforced (UL 94-V0)
Ambient temperature		-30 °C to +80 °C
Mechanical lifetime		3 x 10 ⁶ switching cycles
B10d		6 million
Switching frequency		≤ 100/min.
Type of connection		Screwed terminals
Conductor cross-sections		Single-wire 0.5 – 1.5 mm ² or strand with wireend ferrule 0.5 – 1.5 mm ²
Cable entry		1 x M16 x 1.5
Protection class		IP65 conforming to EN 60529; DIN VDE 0470 T1
Standards		
VDE 0660 T100, DIN EN 60947-1, IEC 60947-1VDE		
0660 T200, DIN EN 60947-5-1, IEC 60947-5-1		

Options

- Available with M12 connectors
- Customised cables and connectors upon request

Mounting

- Mounting dimension according to DIN EN 50047
- 2 oval holes for adjustment for screws M4 (distance 22 mm)
- Fixed positioning for safety applications with two M5 screws (distance 23 mm)



Position & Limit Switches

Ti2 Series - Plastic Body

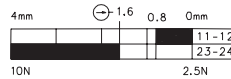
Ti2-... W



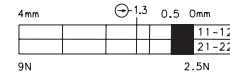
	1 NC / 1 NO	2 NC	2 NO
--	-------------	------	------

Slow-action system

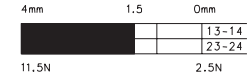
6088103001
Ti2-U1Z W



6088803003
Ti2-A2Z W

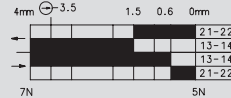


6088803005
Ti2-E2 W

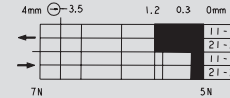


Snap-action system

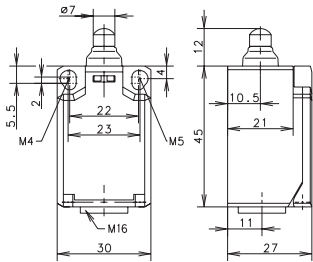
6088153002
Ti2-SU1Z W



6088853004
Ti2-SA2Z W



Special feature (on request): available with increased switching force



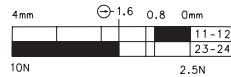
Ti2-... RIW



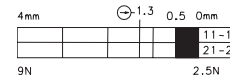
	1 NC / 1 NO	2 NC	2 NO
--	-------------	------	------

Slow-action system

6088117007
Ti2-U1Z RIW

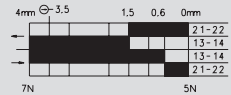


6088817009
Ti2-A2Z RIW

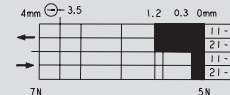


Snap-action system

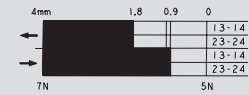
6088167008
Ti2-SU1Z RIW



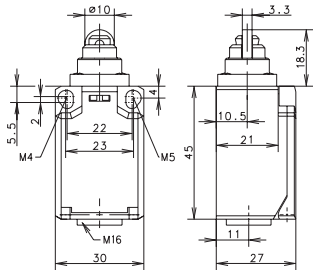
6088867010
Ti2-SA2Z RIW



6088867012
Ti2-SE2 RIW

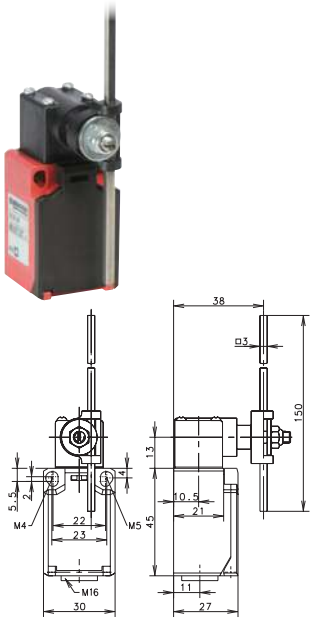


Special features (on request): available with increased switching force; available with different actuating directions; cannot be turned by user



Position & Limit Switches

Ti2 Series - Plastic Body



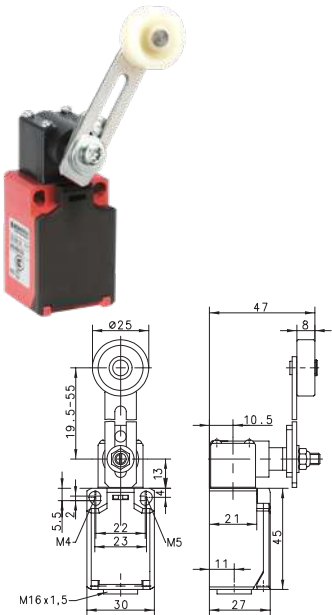
Ti2-... AD

Replacement actuator: 3918370986



	1 NC / 1 NO	2 NC	2 NO								
Slow-action system	<p>6088137027 Ti2-U1 AD</p> <p>65° 34° 22° 0°</p> <table border="1"> <tr><td>11-12</td></tr> <tr><td>23-24</td></tr> </table> <p>14Ncm 3.5Ncm</p>	11-12	23-24	<p>6088837029 Ti2-A2 AD</p> <p>65° 22° 0°</p> <table border="1"> <tr><td>11-12</td></tr> <tr><td>21-22</td></tr> </table> <p>12.5Ncm 3.5Ncm</p>	11-12	21-22	<p>6088887032 Ti2-SE2 AD</p> <p>65° 38° 27° 0°</p> <table border="1"> <tr><td>13-14</td></tr> <tr><td>23-24</td></tr> <tr><td>13-14</td></tr> <tr><td>23-24</td></tr> </table> <p>10Ncm 7Ncm</p>	13-14	23-24	13-14	23-24
11-12											
23-24											
11-12											
21-22											
13-14											
23-24											
13-14											
23-24											
Snap-action system	<p>6088187028 Ti2-SU1 AD</p> <p>65° 34° 23° 0°</p> <table border="1"> <tr><td>21-22</td></tr> <tr><td>13-14</td></tr> <tr><td>13-14</td></tr> <tr><td>21-22</td></tr> </table> <p>10Ncm 7Ncm</p>	21-22	13-14	13-14	21-22	<p>6088887030 Ti2-SA2 AD</p> <p>⊖ 60° 65° 31° 14° 0°</p> <table border="1"> <tr><td>11-12</td></tr> <tr><td>21-22</td></tr> <tr><td>11-12</td></tr> <tr><td>21-22</td></tr> </table> <p>10Ncm 7Ncm</p>	11-12	21-22	11-12	21-22	
21-22											
13-14											
13-14											
21-22											
11-12											
21-22											
11-12											
21-22											

Special features (on request): available with increased switching force; available with different actuating directions; with various actuator lengths



Ti2-... AV

Replacement actuator: 3918360984



	1 NC / 1 NO	2 NC	2 NO												
Slow-action system	<p>6088136033 Ti2-U1 AV</p> <p>65° 34° 22° 0°</p> <table border="1"> <tr><td>11-12</td></tr> <tr><td>23-24</td></tr> </table> <p>14Ncm 3.5Ncm</p>	11-12	23-24		<p>6088836037 Ti2-E2 AV</p> <p>65° 34° 0°</p> <table border="1"> <tr><td>13-14</td></tr> <tr><td>23-24</td></tr> </table> <p>16Ncm 3.5Ncm</p>	13-14	23-24								
11-12															
23-24															
13-14															
23-24															
Snap-action system	<p>6088186034 Ti2-SU1 AV</p> <p>65° 34° 23° 0°</p> <table border="1"> <tr><td>21-22</td></tr> <tr><td>13-14</td></tr> <tr><td>13-14</td></tr> <tr><td>21-22</td></tr> </table> <p>10Ncm 7Ncm</p>	21-22	13-14	13-14	21-22	<p>6088886036 Ti2-SA2 AV</p> <p>⊖ 60° 65° 31° 14° 0°</p> <table border="1"> <tr><td>11-12</td></tr> <tr><td>21-22</td></tr> <tr><td>11-12</td></tr> <tr><td>21-22</td></tr> </table> <p>10Ncm 7Ncm</p>	11-12	21-22	11-12	21-22	<p>6088886038 Ti2-SE2 AV</p> <p>65° 38° 27° 0°</p> <table border="1"> <tr><td>13-14</td></tr> <tr><td>23-24</td></tr> <tr><td>13-14</td></tr> <tr><td>23-24</td></tr> </table> <p>10Ncm 7Ncm</p>	13-14	23-24	13-14	23-24
21-22															
13-14															
13-14															
21-22															
11-12															
21-22															
11-12															
21-22															
13-14															
23-24															
13-14															
23-24															

Special features (on request): available with different actuating directions; various roller diameters; various lever lengths; with roller over switch